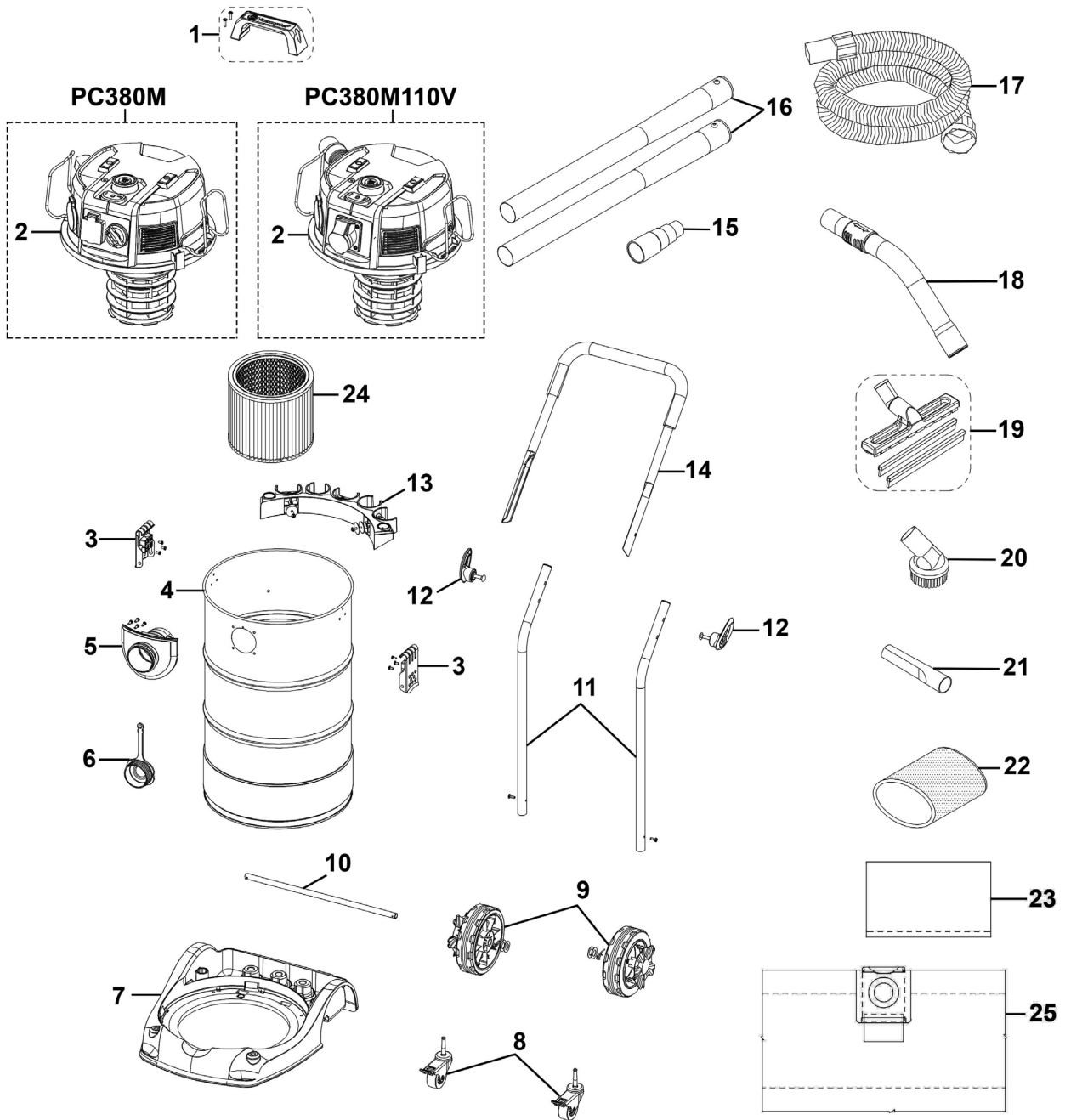




Parts Information:
M Class Dust-Free Vacuum Cleaner Wet & Dry Stainless Steel Drum 38L 1500W/230V & 1100W/110V
Model No: PC380M & PC380M110V



NOTE: It is our policy to continually improve products and as such we reserve the right to alter data, specifications and component parts without prior notice. There may be alternative versions of this product, please contact us should you require this information.

IMPORTANT: No liability is accepted for incorrect use of product. Spare parts must be fitted by a competent person

WARRANTY: Guarantee is 12 months from purchase date, proof of which will be required for any claim.

Jack Sealey Ltd t/a Sealey Group, Kempson Way, Suffolk Business Park, Bury St Edmunds, Suffolk, IP32 7AR UK
Jack Sealey (EU) Ltd t/a Sealey Group, Farney Street, Carrickmacross, Co. Monaghan, A81 PK68 Ireland
Tel: 01284 757500 · Email: sales@sealey.co.uk · Web: www.sealey.co.uk



Parts Information:
M Class Dust-Free Vacuum Cleaner Wet & Dry Stainless Steel Drum 38L 1500W/230V & 1100W/110V
Model No: PC380M & PC380M110V

Item	Part No.	Description	Qty
1	PC380M.01	Top Handle Assembly (PC380M Only)	1
1	PC380M110V-01	Top Handle Assembly (PC380M110V Only)	1
2	PC380M.02	Top Head Assembly 1500W (PM380M only)	1
2	PC380M110V.02	Top Head Assembly 1100W (PC380M110V only)	1
--	PC380M110V-02A	PCB (110V) (Not Shown)	1
3	PC380M.03	Tank Clip Assembly (PC380M Only)	2
3	PC380M110V-03	Tank Clip Assembly (PC380M110V Only)	2
4	PC380M.04	Stainless Steel Tank 38L	1
5	PC380M.05	Suction Seat Assembly	1
6	PC380M.06	End Cap	1
7	PC380M.07	Tank Base	1
8	PC380M.08	Wheel, Swivel Castor, Single Bolt (c/w Brake) (D:55 W:20 B:6 H:118)	2
9	PC380M.09	Wheel, Rear Fixed Plastic (c/w Fixings & Cap) (D:147 W:40 B:12) (PC380M Only)	2
9	PC380M110V-09	Wheel, Rear Fixed Plastic (c/w Fixings & Cap) (D:147 W:40 B:12) (PC380M110V Only)	2

Item	Part No.	Description	Qty
10	PC380M.10	Wheel Shaft	1
11	PC380M.11	Lower Handle Assembly	2
12	PC380M.12	Handle Lock Assembly (PC380M Only)	2
12	PC380M110V-12	Handle Lock Assembly (PC380M110V Only)	2
13	PC380M.13	Accessories Holder	1
14	PC380M.14	Upper Handle	1
15	PC380M.15	Power Tool Adaptor	1
16	PC380M.16	Extension Tube	2
17	PC380M.17	Hose	1
18	PC380M.18	Elbow with Air Flow Regulator	1
19	PC380M.19	Multi-Surface Floor Nozzle 12"	1
20	PC380M.20	Round Brush	1
21	PC380M.21	Crevice Tool	1
22	PC380MFF	Foam Filter - Pack of 3	1
23	PC380MTL	Tank Liner M Class - Pack of 5	1
24	PC380MCF	Cartridge Filter M Class	1
25	PC380MDB	Dust Bag M Class - Pack of 5	1
--	PC380M-M	Motor (PC380M Only - Not Shown)	1

NOTE: It is our policy to continually improve products and as such we reserve the right to alter data, specifications and component parts without prior notice. There may be alternative versions of this product, please contact us should you require this information.

IMPORTANT: No liability is accepted for incorrect use of product. Spare parts must be fitted by a competent person

WARRANTY: Guarantee is 12 months from purchase date, proof of which will be required for any claim.

Jack Sealey Ltd t/a Sealey Group, Kempson Way, Suffolk Business Park, Bury St Edmunds, Suffolk, IP32 7AR UK

Jack Sealey (EU) Ltd t/a Sealey Group, Farney Street, Carrickmacross, Co. Monaghan, A81 PK68 Ireland

Tel: 01284 757500 - Email: sales@sealey.co.uk - Web: www.sealey.co.uk